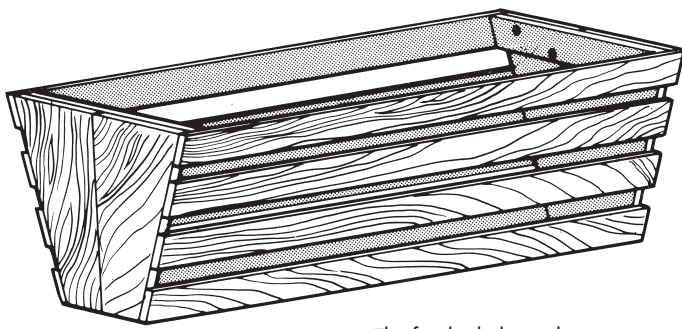


HOW TO

MAKE A LONG PLANTER BOX

The patio or deck planter box is an attractive décor item that can be used indoors or outdoors. Timber suitable for outdoor use for long life includes treated pine, western red cedar or hardwood.



The finished planter box.

TOOLS

- Handsaw
- Drill or hammer and nails
- PVA glue

MATERIALS

- P.V.A. wood glue
- Pine 42 x 19 x 740mm (8 pieces)
- Pine 42 x 19 x 695mm (3 pieces)
- Pine 42 x 19 x 300mm (4 pieces)
- Pine 140 x 19mm x 1 metre

SAFETY

- Always keep tools and materials away from children.
- Read the instructions before beginning your project.
- Wear an approved dust mask when cutting, planing or sanding timber AS/N251716.

Although every care has been taken to ensure that the information and advice given in this guide is authoritative no legal liability is accepted for such information and advice.

BUNNINGS
warehouse

WHERE TO BEGIN

Cut four wedge shapes out of 140mm x 19mm pine. (see Fig 1)
Place in pairs and glue and screw 42 x 19mm across top and bottom as shown. (see Fig 2)

Pre-drill, glue and screw 3 lengths 42 x 19 x 695mm across base as shown.

With equal spacings, pre-drill, glue and screw four of 42 x 19 x 740mm pieces to form sides. (see Fig 3)

Clean up the surfaces by sanding with 120 grit sandpaper in the direction of the grain. Paint with three coats of 100% acrylic paint.

The planter box is now ready for your selection of plants.

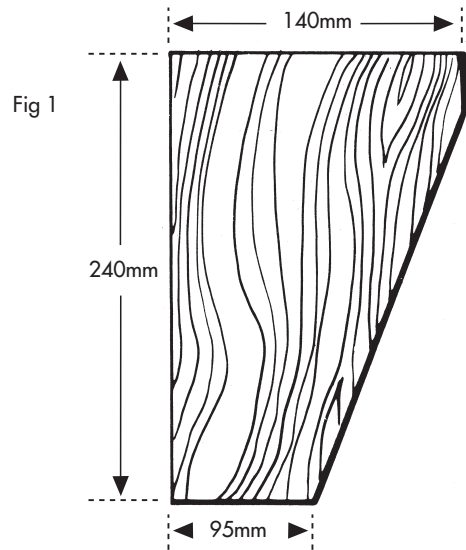


Fig 1

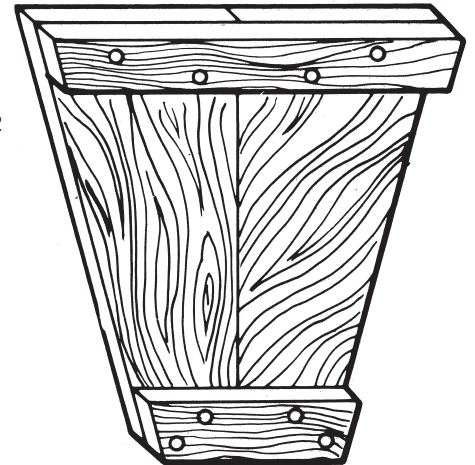


Fig 2

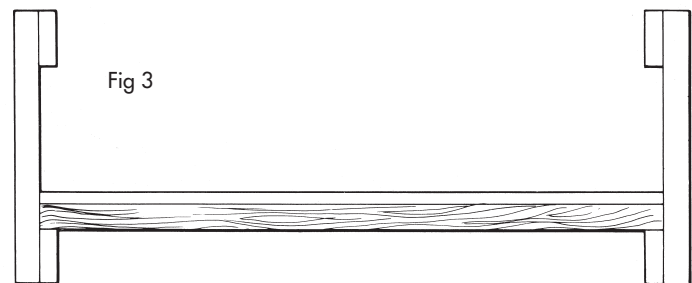


Fig 3

For further expert advice consult the qualified team members at your local Bunnings Warehouse.